

LCE18

BAFANG

M620 motor
BT F25 (820Wh) battery

e-Fat Bike



26er Full Suspension Bafang M620 e-Fat Bike Carbon Frame

Material: High modulus Toray T700 carbon fiber

Size: M/L

Weight: 3150g/M

Head tube: Integrated 44mm/56mm
(Headset FSA NO.57)

Seat post: 31.6mm(34.9mm seat clamp)

Motor: Bafang M620

Battery: Bafang BT F25 (820Wh)

Rear shock size:190*51mm

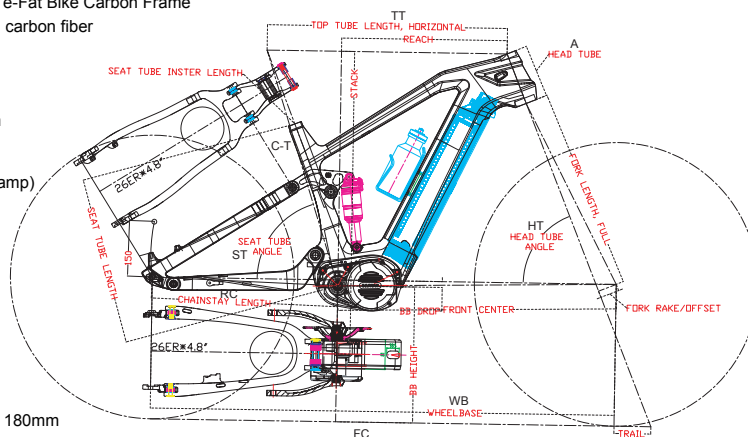
Front Travel: 150mm

Rear Travel: 150mm

Dropout: TA 12*197mm

Max tire clearance: 26x4.8"

Brake Type: Post Mount Disc brake 180mm



LCE18

SIZE	REACH	TT	STACK	WB	RC	FC	BB DROP	ST	HT	C-T	A	Offset	TRAIL
M	446	646	630.9	1249.4	500	749.8	15.8	72.4°	68°	451	143	51	99.2
L	469	672	640.1	1275	500	776	15.8	72.4°	68°	482	153	51	99.2

LCE28

BAFANG

M620 motor
BT F25 (820Wh) battery



29er Plus/650b Plus Full Suspension Bafang M620 e-MTB Carbon Frame

Material: High modulus Toray T700 carbon fiber

Size: M/L

Weight: 4000g/M

Head tube: Integrated 44mm/56mm
(Headset FSA NO.57)

Seat post: 31.6mm(34.9mm seat clamp)

Motor: Bafang M620

Dropout: TA 12*148mm

Rear shock size: 190*51mm

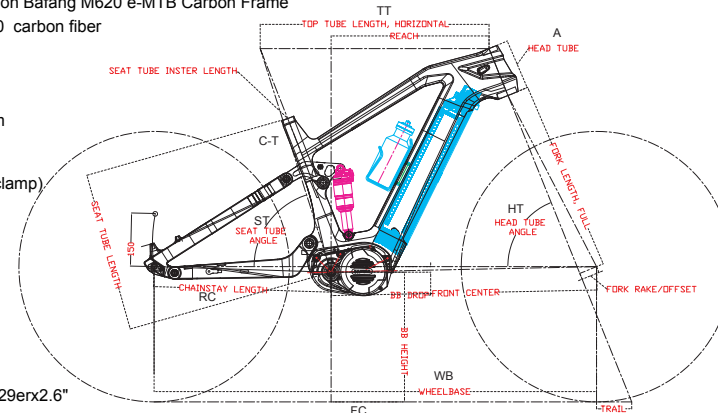
Front Travel: 150~160mm

Rear Travel: 150mm

Battery: Bafang BT F25 (820Wh)

Max tire clearance: 650B*3.0 and 29erx2.6"

Brake Type: Post Mount Disc brake 180mm



LCE28

SIZE	REACH	TT	STACK	WB	RC	FC	BB DROP	ST	HT	C-T	A	Offset	TRAIL
M	446	646	630.9	1249.4	500	749.8	15.8	72.4°	68°	451	143	51	99.2
L	469	672	640.1	1275	500	776	15.8	72.4°	68°	482	153	51	99.2

LCE39

BAFANG

M510 / M600 / M560 motor
BT F25 (820Wh) battery



29er Plus/650b Plus Full Suspension Bafang M510 e-MTB Carbon Frame
Material: High modulus Toray T700 carbon fiber

Size: M/L

Weight: 3150g/M

Head tube: Integrated 44mm/56mm
(Headset FSA NO.57)

Seat post: 31.6mm(34.9mm seat clamp)

Motor: Bafang M510 / M600 / M560

Battery: Bafang BT F25 (820Wh)

Rear shock size:190*51mm

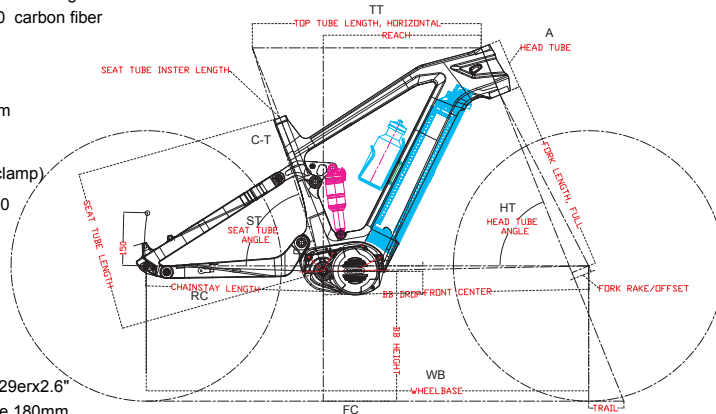
Front Travel: 150mm

Rear Travel: 150~160mm

Dropout: TA 12*148mm

Max tire clearance: 650B*3.0 and 29erx2.6"

Brake Type: Post Mount Disc brake 180mm



LCE39

SIZE	REACH	TT	STACK	WB	RC	FC	BB DROP	ST	HT	C-T	A	Offset	TRAIL
M	446	646	630.9	1249.4	500	749.8	15.8	72.4°	68°	451	143	51	99.2
L	469	672	640.1	1275	500	776	15.8	72.4°	68°	482	153	51	99.2

LCE930

BAFANG

M820 motor
BT F014 (410Wh) battery



29er Plus/650b Plus Super Light Bafang M820 e-MTB Carbon Frame
Material: High modulus Toray T800 carbon fiber

Size: S, M, L

Weight: 2750g/Medium

Head tube: Straight 1 1/2" head tube

Seat post: 31.6mm(34.9mm seat clamp)

Motor: Bafang M820

Battery: Bafang BT F014 (410Wh) or BT F100 (360Wh)

Rear shock size: 185*55/185*50mm (trunnion mount)

Front Travel: 150-160mm

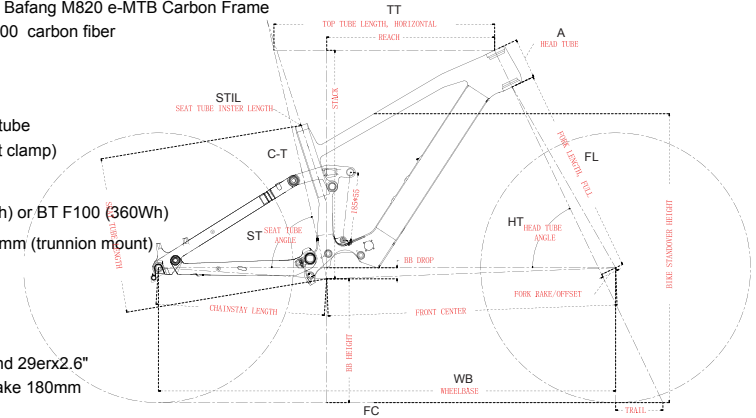
Rear Travel: 150mm

Dropout: TA 12*148mm

Max tire clearance: 650B*3.0" and 29erx2.6"

Brake Type: Post Mount Disc brake 180mm

Hanger: UDH



LCE930

SIZE	STIL	REACH	TT	STACK	WB	RC	FC	BB DROP	BB HEIGHT	ST	HT	C-T	A	STANDOVER HEIGHT(29.5")	Offset	FL	TRAIL
S	170	430	572	614.8	1205.5	457	756.1	30	335	77°	64.5°	390	105	782	44	563	128
M	200	455	598	619.4	1232.6	457	783.2	30	335	77°	64.5°	420	110	801	44	563	128
L	200	480	625	627.5	1261.9	457	812.5	30	335	77°	64.5°	450	120	825	44	563	128

LCES801

SHIMANO
E8000/EP8 motor

DARFON
E4C0L (800Wh) battery



29er/650b Plus Full Suspension Shimano EP8 e-MTB Carbon Frame Darfon Battery
Finish:UD

Size: S/M/L

Weight: 3450g/M

Head tube: Integrated 44mm/56mm
(Headset FSA NO.57)

Seat post: 31.6 (34.9mm clamp)

Battery: Darfon E4C0L (800Wh)

Motor: Shimano EP801

Rear shock size: 185*55/185*50mm (trunnion mount)

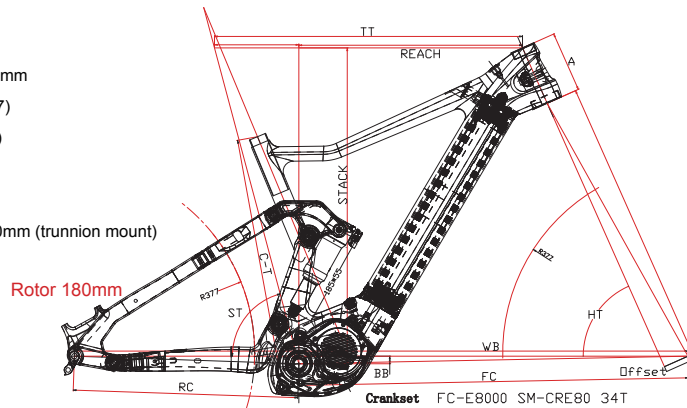
Front Travel: 160mm

Rear Travel: 160mm

Dropout: TA 12*148mm

Max tire clearance: 650B*3.0" and 29ER*2.35"

Hanger: UDH



LCES801

SIZE	C-T	A	offset	TT	HT	ST	BB DROP	RC	WB	FC	RD	RB	POST	STACK	REACH	H/T INSERT	Wheel	Travel
S	406	110	51	590	66	75	15	445	1097	748				614.4	433.2	FSA NO.57	Dropout: Ø12*148mm	F 160mm R 160mm Suspension 185*55mm
M	457	120	51	601	66	75	15	445	1215	770.7	Inner	Inside	31.6	625.5	442.9			
L	508	130	51	630	66	75	15	445	1235	790.4				632.7	462.5			

LCE971

BAFANG

M510 / M600 / M560 motor
OEM Lithium (720Wh) battery



29er Plus/650b Plus Full Suspension Bafang M510 e-MTB Carbon Frame OEM Battery

Material: High modulus Toray T800 carbon fiber

Size: M, L

Weight: 3750g/M

Head tube: Straight 1 1/2" head tube

Seat post: 31.6mm(34.9mm seat clamp)

Motor: Bafang M510 / M600 / M560

Battery: OEM Lithium battery 720wh

Rear shock size: 210*55mm (standard mount)

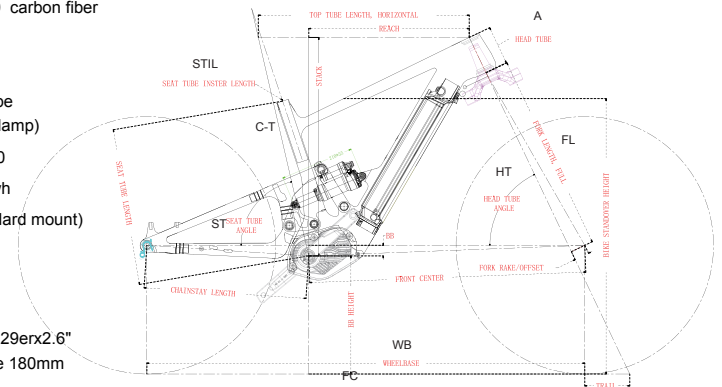
Front Travel: 150-160mm

Rear Travel: 150mm

Dropout: TA 12*148mm

Max tire clearance: 650B*3.0" and 29erx2.6"

Brake Type: Post Mount Disc brake 180mm
Hanger: UDH



LCE971

SIZE	STIL	REACH	TT	STACK	WB	RC	FC	BB DROP	BB HEIGHT	ST	HT	C-T	A	STANDOVER HEIGHT(Ø27*2.6)	Offset	FL	TRAIL
M	180	455	598	619.4	1241.7	460	783.2	30	335	77°	64.5°	445	110	781	44	562	128
L	200	480	625	628.4	1269.9	460	812.5	30	335	77°	64.5°	480	120	795	44	562	128

LCE879

SHIMANO

E8000/EP8 motor

E8036 (630Wh) battery



29er/650b Plus Full Suspension Shimano EP8 e-MTB Carbon Frame

Size Available: S/M/L/XL

Cable Routing: Internal cable routing

Grade Available: 3700g(For size M)

Head Tube: FSA No. 57

Seat Post: $\Phi 31.6\text{mm}$

Tire Max: 29*2.35" or 27.5*3.0"

O.L.D: TA 148*12 mm

Battery: Shimano E8036

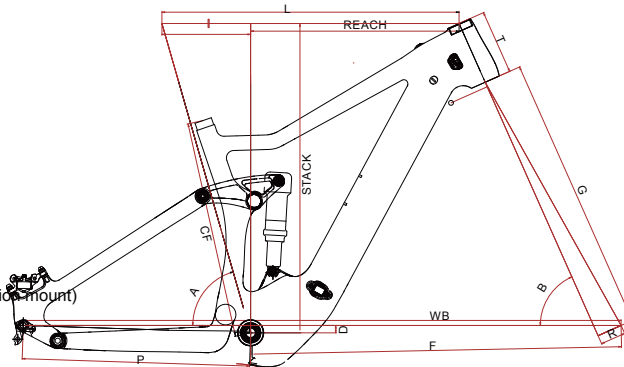
Motor: Shimano EP8

Disc Brake: Post mount 180mm

Rear Shock Size: 185*55/185*50mm (trunnion mount)

Travel : Front 150mm Rear 150mm

Max Chaining: 34T



LCE879

SIZE	CF	L	I	A	B	F	P	T	BB DROP	Offset	G	STACK	REACH	WB
S	400	585	176.5	74°	66°	732	460	120	15	51	561	616.4	408.2	1191.6
M	440	601	179.4	74°	66°	749.3	460	130	15	51	561	625.5	412.5	1209
L	483	620	182.6	74°	66°	769.4	460	140	15	51	561	634.7	437.5	1229
XL	520	640	184.2	74°	66°	791.8	460	150	15	51	561	643.8	455.8	1251.4

LCE561

SHIMANO

E8000/EP8 motor

E8036 (630Wh) battery



29er/650b Plus Hardtail Shimano EP8 e-MTB Carbon Frame

Size Available: S/M/L

Cable Routing: Internal cable routing

Grade Available: 2200g(For size M)

Head Tube: FSA No. 57

Seat Post: $\Phi 31.6\text{mm}$

O.L.D: TA 148*12 mm

Tire Max: 29*2.35" or 27.5*3.0"

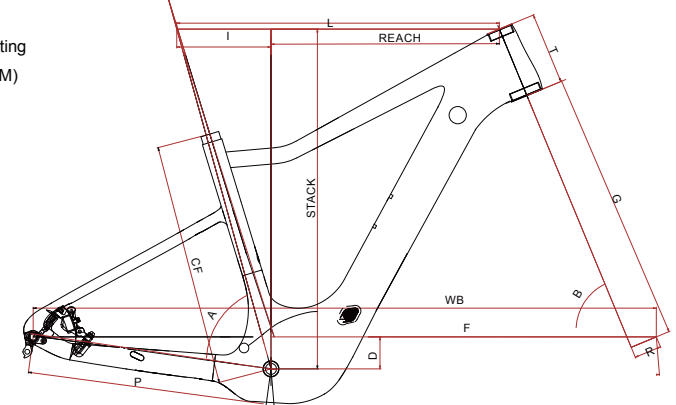
Battery: Shimano E8036

Motor: Shimano EP8

Disc Brake: Post mount 160mm

Travel : Front 100mm

Max Chaining: 34T



LCE561

SIZE	CF	L	I	A	B	F	P	T	BB DROP	Offset	G	STACK	REACH	WB
S	400	580	170.2	74.5°	67.5°	697.2	450	110	60	51	511	614.2	409.8	1140.6
M	435	605	172.9	74.5°	67.5°	723.2	450	120	60	51	511	623.4	432.1	1166.7
L	485	625	175.5	74.5°	67.5°	744.3	450	130	60	51	511	632.7	449.5	1187.9